

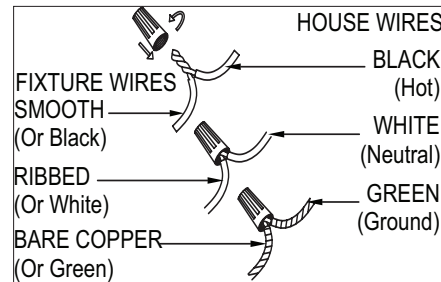
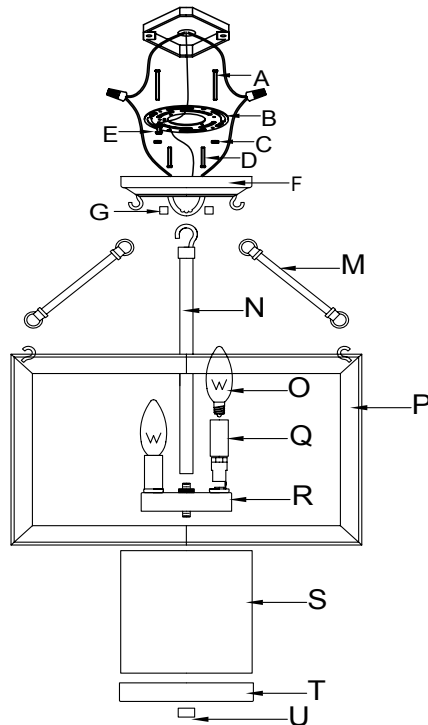
# Assembly Instructions: 2073-SF

## IMPORTANT:

- ALL INSTALLATION WORK SHOULD BE DONE BY ACCREDITED PROFESSIONAL.
- SHUT OFF POWER SUPPLY AT FUSE OR CIRCUIT BREAKER!
- USE ONLY THE SPECIFIED BULBS. DO NOT EXCEED THE MAXIMUM WATTAGE!

For Customer Service, contact the place of purchase to arrange for replacement parts.

## FLUSH INSTALLATION



## PREPARING FOR INSTALLATION

Remove all of the contents from the carton. See the important notes above. Shut off the power at the circuit breaker and completely remove the old fixture from the ceiling, including the old mounting strap.

Mounting strap (B) contains several pairs of threaded holes. Find the pair of holes that matches the spacing of the holes on the junction box. Two of mounting screws (A) should be attached to mounting strap (B). You may need to tighten nuts (C) which hold these screws in place. Place mounting strap (B) over the junction box so that mounting screws (A) are pointing down. Secure mounting strap (B) to the junction box with mounting screws (D) and a screwdriver. Tighten the screws securely.

Place the fixture's socket cluster (R) on a flat surface. Rod (N) is on the fixture's wires, but not attached to the body of the fixture. Pass the fixture's wires through rod (N) and pull the wires until taut. Twist rod (N) onto the fixture's body until secure. Attach rods (M) to the hooks on the fixture's body. Have an assistant hold the canopy above the fixture's body, then attach rod (N) to canopy (F). Attach rods (M) to the hooks on canopy (F). Push the wires through the center of canopy (F).

## CONNECTING THE WIRES

Have an assistant or assistants support the fixture's weight while completing the wiring. Cut away the excess wires. Attach the fixture's wires to the power supply wires from the junction box. Connect black to black (or smooth); white to white (or ribbed); ground to ground (green or copper). Twist the ends of the wire pairs together, then twist on a wire connector. Make sure all twists are in the same direction. If there is no ground wire (green or copper) from the junction box, locate ground screw (E) on mounting strap (B) and wrap the fixture ground wire around the green ground screw (E). Use a screwdriver to secure ground screw (E) onto the mounting bracket. Tuck all wires neatly into the junction box.

## FINISHING THE INSTALLATION

Raise canopy (F) to the ceiling. Position mounting screws (A) so that they protrude through the openings of canopy (F). Secure canopy (F) in place with decorative nuts (G).

Slide candle sleeves (Q) over the sockets. Install light bulbs (O) (not included) in accordance with the fixture's specifications. Place glass shade (S) onto bottom cap (T). Raise glass shade (S) and bottom cap (T) up beneath bottom assembly (R). Twist bottom finial (U) onto the threads of bottom assembly (R). Tighten securely.

Your installation is complete. Turn on the power and test the fixture.

## CLEANING TIPS

Treat the fixture gently! Regular cleaning will reduce the need for deep cleaning. For regular cleaning, turn off the light and wipe down the fixture with a clean lint-free cotton or microfiber cloth. Never spray cleaner directly onto the fixture. For deep cleaning, turn off the light and remove the glass prior to cleaning. Hand wash glass with warm water and mild detergent. Dry with a lint-free or microfiber cloth.

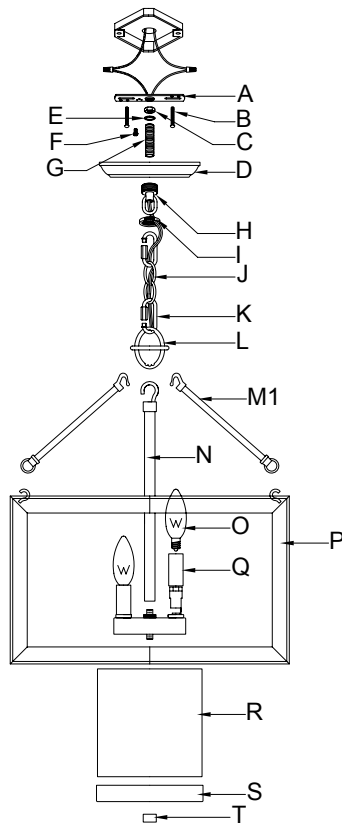
# Assembly Instructions: 2073-SF

## IMPORTANT:

- ALL INSTALLATION WORK SHOULD BE DONE BY ACCREDITED PROFESSIONAL.
- SHUT OFF POWER SUPPLY AT FUSE OR CIRCUIT BREAKER!
- USE ONLY THE SPECIFIED BULBS. DO NOT EXCEED THE MAXIMUM WATTAGE!

**For Customer Service, contact the place of purchase to arrange for replacement parts.**

## PENDANT INSTALLATION



until taut. Twist rod (N) onto the fixture's body until secure. By measuring, determine the correct number of chain links needed for proper hanging height. If necessary, use a pair of pliers to open and remove any excess chain. Attach one chain connector (K) to each end of chain (J). Use one of chain connectors (K) to attach chain (J) to top loop (L) and close the chain connector. Have an assistant attach rods (M1) to the hooks on the fixture body then attach the hooks of rods (M1) to top loop (L). Hook the end of rod (N) onto top loop (L). Pull the wires through top loop (L). Feed the fixture's wires up through the chain (every three links or so), pulling the wires until taut. Slide canopy loop collar (H) and canopy (G) onto the chain/wires. Use the free chain connector (K) to attach chain (J) to canopy loop (H).

## CONNECTING THE WIRES

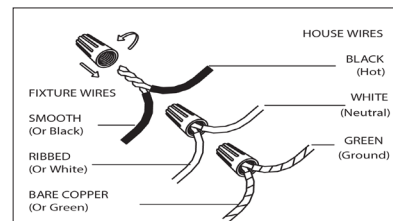
Have an assistant support the fixture's weight while completing the wiring. Cut away the excess wires. Thread the fixture's wires through canopy loop (H) and nipple (G). Attach the fixture's wires to the power supply wires from the junction box. Connect black to black (or smooth); white to white (or ribbed); ground to ground (green or copper). Twist the ends of the wire pairs together, then twist on a wire connector. Make sure all twists are in the same direction. If there is no ground wire (green or copper) from the junction box, locate ground screw (F) on mounting strap (A) and wrap the fixture's ground wire around the green ground screw (F). Use a screwdriver to secure ground screw (F) onto the mounting bracket. Tuck all wires neatly into the junction box.

## PREPARING FOR INSTALLATION

Remove all of the contents from the carton. See the important notes above. Shut off the power at the circuit breaker and completely remove the old fixture from the ceiling, including the old mounting strap.

From the parts bag remove the mounting strap assembly for pendants. One end of nipple (G) should be attached to mounting strap (A) with hex nuts (C, D) in place. The other end should have canopy loop (H) attached. Find the pair of holes on mounting strap (A) that matches the spacing of the holes on the junction box. Attach mounting strap (A) to the junction box using mounting screws (B) and a screwdriver. Tighten securely. Unscrew canopy loop collar (I) from canopy loop (H). Pass canopy (D) over the mounted canopy loop to test the height. Approximately half of the canopy loop's exterior threads should be exposed, and the canopy loop collar should fit snugly onto the canopy loop. Remove canopy (D) and adjust the height of nipple (G) and canopy loop (H) until the desired height is reached.

Place the fixture's socket cluster (R) onto a flat surface. Rod (N) is on the fixture's wires, but not attached to the body of the fixture. Pass the fixture's wires through rod (N) and pull the wires



## FINISHING THE INSTALLATION

Raise canopy (D) to the ceiling, and slide canopy loop collar (I) up beneath the canopy. Tightly thread canopy loop collar (I) onto canopy loop (H) to secure canopy (G) in place. Slide candle sleeves (Q) over the sockets. Install light bulbs (O) (not included) in accordance with the fixture's specifications. Place glass shade (S) onto bottom cap (T). Raise glass shade up beneath bottom assembly (R). Twist bottom finial (U) onto the threads of bottom assembly (R). Tighten securely.

Your installation is complete. Turn on the power and test the fixture.

## CLEANING TIPS

Treat the fixture gently! Regular cleaning will reduce the need for deep cleaning. For regular cleaning, turn off the light and wipe down the fixture with a clean lint-free cotton or microfiber cloth. Never spray cleaner directly onto the fixture. For deep cleaning, turn off the light and remove the glass prior to cleaning. Hand wash glass with warm water and mild detergent. Dry with a lint-free or microfiber cloth.